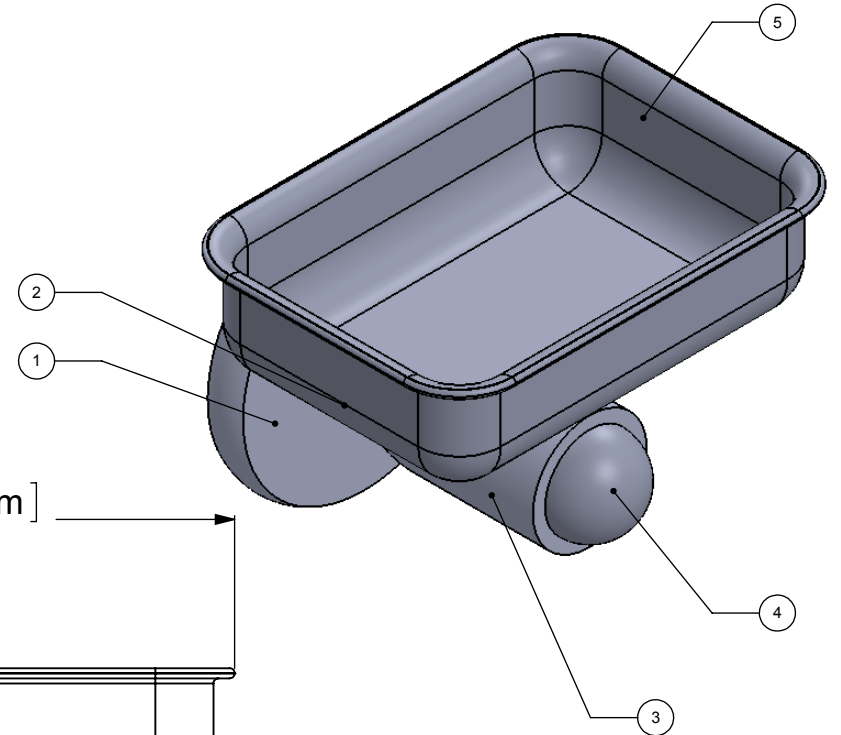
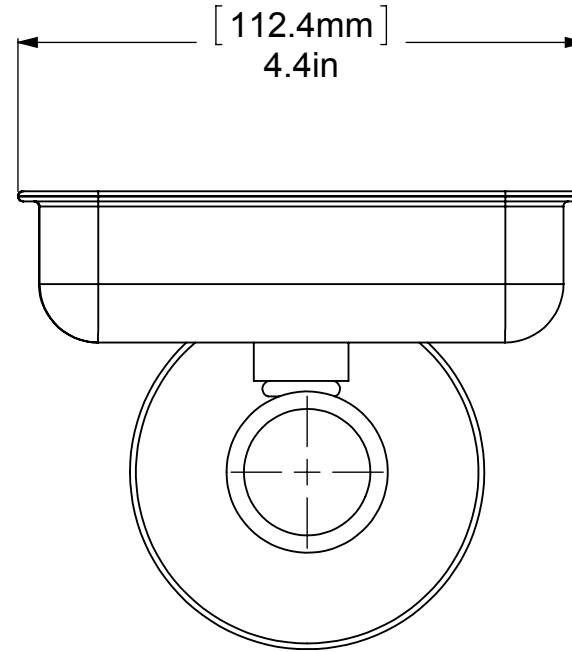
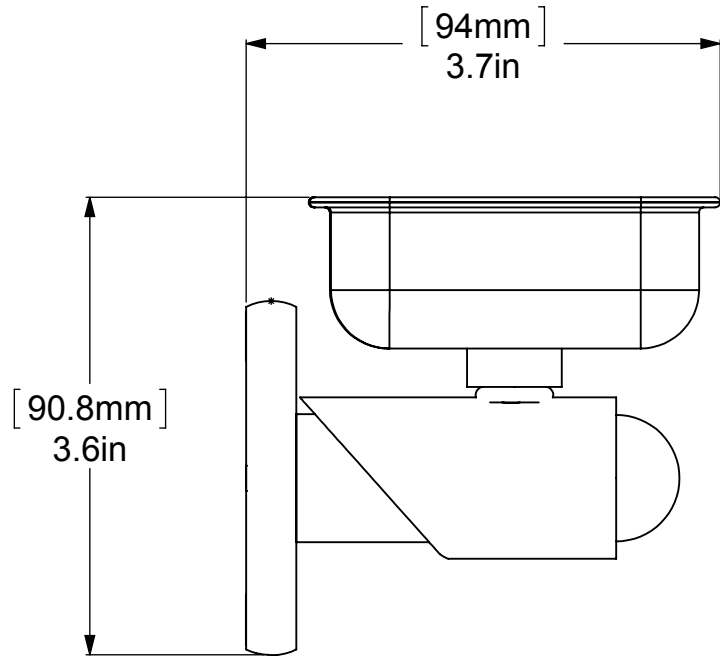


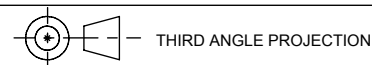
ITEM NO.	P/N	Description	QTY.
1	BPRD	Base	1
2	TU1-2	TUBE	1
3	BKSVT	HUB	1
4	CHAR-1	CAP	1
5	HRRTS	TUB	1



UNLESS OTHERWISE STATED

.X	±.3mm
.XX	±.15mm
.XXX	±.008mm

COPYRIGHT © Allied Brass 2016



DRAWN	2-12-2016	I.M
CHECKED	2-12-2016	P.D
APPROVED	2-12-2016	R.A

MATERIAL:	BRASS
DESCRIPTION:	SOAP DISH



FINISH	TBD
QUANTITY	TBD
DRAWING No.	SH-32
REV	0
SCALE	1:1.5
SHEET: 01	A4